

arfiStat-SR-125-134-LF
Waste Management System
LF 125/134 kHz FDX-B/HDX
ASK/FSK Read Only Reader
RS485 Interface + Antenna
ISO11784/ISO11785

Product:	RFID Short Range Reader System to connect up to 3 external antennas (multiplexed) and RS485-Interface for short distance reading of 125/134 kHz LF BIN TAGs or DISC TAGs. This RFID reader system is perfect for waste management and id applications in rugged environment for waste management. (Optional for agriculture live stock industries as well).	
RFID LF TAGs/Chips supported:	125 kHz: EM4200, TK4100, other 134 kHz: EM4305, Hitag S, HDX TI / SIC279	
Typical Read Range:	150 to 300 mm	(Depends on RFID TAG/antenna type)
Frequency: Standards/Norms:	125 kHz 134kHz (At room temperature 20°C) Defacto, ISO11784, ISO11785,	EN14803 DIN30745
Read Mode / Modulation:	Automatic Read mode	AM ASK / FM FSK
Dimensions / Housing / Weight:	155 x 125 x 80 mm 600 g	IP65 Grey aluminium housing
Interface (Protocols):	RS485 Baudrate 9600 Bd/s	(Serial ASCII)
Antenna Ports:	Up to 3 external antennas multiplexed	Comb or flat antennas are available
Power Supply: Power Consumption:	20... 36 V DC	230 mA
Development Tools:	Firmware update by user possible	API available
Operating/Storage Temperature:	-20°C ... + 65°C	-20°C ... + 65°C
Certification:		
Part Description:	arfiStat-SR-134-125-LF	Part-No. 123456966

Made in Germany

arfidex GmbH | Adlerstr. 2 | D-63322 Rödermark | Germany | Phone: +49 (0) 6074 861930

<https://www.arfidex.de> | info@arfidex.de

© arfidex makes no warranty, representation, or guarantee regarding the information contained herein or the suitability of its products and services for any particular purpose, nor does arfidex assume any liability whatsoever arising out of the application or use of any product or circuit. The products sold hereunder and any other products sold by arfidex have been subject to limited testing and should not be used in conjunction with mission-critical equipment or applications. Any performance specifications are believed to be reliable but are not verified, and Buyer must conduct and complete all performance and other testing of the products, alone and together with, or installed in, any end-products. Buyer shall not rely on any data and performance specifications or parameters provided by arfidex. It is the Buyer's responsibility to independently determine suitability of any products and to test and verify the same. The information provided by arfidex hereunder is provided "as is, where is" and with all faults, and the entire risk associated with such information is entirely with the Buyer. arfidex does not grant, explicitly or implicitly, to any party any patent rights, licenses, or any other IP rights, whether with regard to such information itself or anything described by such information. Information provided in this document is proprietary to arfidex, and arfidex reserves the right to make any changes to the information in this document or to any products and services at any time without notice.



arfiStat-V2A-ANT-125-134-LF
Waste Management ID
LF 125/134 kHz FDX-B/HDX
Rugged Stainless Steel
RFID Comb Antenna

Product:	RFID external air coil antenna to connect to Low frequency Short Range Reader arfiStat-SR-134-125-LF for short distance reading of 125/134 kHz LF BIN TAGs integrated in wheely bins. This very rugged long life stainless steel antenna is perfect for mounting on comb lifter of waste trucks in waste management application.	
Typical Read Range:	up to 100 mm	(Depends on RFID TAG/antenna type)
Frequency:	125 kHz 134kHz (At room temperature 20°C)	EN14803
Standards/Norms:	Defacto, ISO11784, ISO11785,	DIN30745
Modulation:	AM ASK / FM FSK	
Dimensions / Housing:	81 x 31 x 37 mm	IP67 V2A housing potted with epoxy
Mounting method:	By screws	
Antenna cable length/plug:	8 m PUR Flex with open wire pig tail	Optional with M12 plug
Power Supply:	by reader	
Inductance / Resistance:	190 µH	< 5 1
Operating/Storage Temperature:	-20°C ... + 80°C	-20°C ... + 80°C
Certification:	CE	RoHS ✓
Part Description:	arfiStat-V2A-125-134-LF	Part-No. 123456967

Made in Germany 


arfidex GmbH | Adlerstr. 2 | D-63322 Rödermark | Germany | Phone: +49 (0) 6074 861930

<https://www.arfidex.de> | info@arfidex.de

© arfidex makes no warranty, representation, or guarantee regarding the information contained herein or the suitability of its products and services for any particular purpose, nor does arfidex assume any liability whatsoever arising out of the application or use of any product or circuit. The products sold hereunder and any other products sold by arfidex have been subject to limited testing and should not be used in conjunction with mission-critical equipment or applications. Any performance specifications are believed to be reliable but are not verified, and Buyer must conduct and complete all performance and other testing of the products, alone and together with, or installed in, any end-products. Buyer shall not rely on any data and performance specifications or parameters provided by arfidex. It is the Buyer's responsibility to independently determine suitability of any products and to test and verify the same. The information provided by arfidex hereunder is provided "as is, where is" and with all faults, and the entire risk associated with such information is entirely with the Buyer. arfidex does not grant, explicitly or implicitly, to any party any patent rights, licenses, or any other IP rights, whether with regard to such information itself or anything described by such information. Information provided in this document is proprietary to arfidex, and arfidex reserves the right to make any changes to the information in this document or to any products and services at any time without notice.



arfiStat-SR-125-134-LF
Waste Management System
LF 125/134 kHz FDX-B/HDX
ASK/FSK Read Only Reader
RS485 Interface + Antenna
ISO11784/ISO11785

Made in Germany 

Suitable LF RFID Reader and antennas and TAGs for waste management for integration on waste trucks

This RFID reader antenna system is used by system integrators in rugged environment area to read LF RFID TAGs and to send the data to a PC/host by RS485 interface.

3 antenna ports allow to connect 3 independent identification of tags

System integrators remove a tooth of the waste truck lifter comb and replace it with the arfiStat-V2A-ANT-125-134-LF antenna.

RFID M30 TAGs for mounting in wheely bins chip nest complete the system hardware. See extra datasheets.

We are looking forward to your request.

APPLICATIONS:

- ◆ Waste Management (Wheely Bin ID TAG reading on truck lifter)

Other applications by using other type of antennas:

- ◆ Reading of LF ISO-Animal ISO11784/785 TAGs
- ◆ Access Control for animal feeding
- ◆ Industrial ID
- ◆ Your application



arfidex GmbH | Adlerstr. 2 | D-63322 Rödermark | Germany | Phone: +49 (0) 6074 861930

<https://www.arfidex.de> | info@arfidex.de

© arfidex makes no warranty, representation, or guarantee regarding the information contained herein or the suitability of its products and services for any particular purpose, nor does arfidex assume any liability whatsoever arising out of the application or use of any product or circuit. The products sold hereunder and any other products sold by arfidex have been subject to limited testing and should not be used in conjunction with mission-critical equipment or applications. Any performance specifications are believed to be reliable but are not verified, and Buyer must conduct and complete all performance and other testing of the products, alone and together with, or installed in, any end-products. Buyer shall not rely on any data and performance specifications or parameters provided by arfidex. It is the Buyer's responsibility to independently determine suitability of any products and to test and verify the same. The information provided by arfidex hereunder is provided "as is, where is" and with all faults, and the entire risk associated with such information is entirely with the Buyer. arfidex does not grant, explicitly or implicitly, to any party any patent rights, licenses, or any other IP rights, whether with regard to such information itself or anything described by such information. Information provided in this document is proprietary to arfidex, and arfidex reserves the right to make any changes to the information in this document or to any products and services at any time without notice.



BIN RFID TAG

Ø M30 x 15 mm

LF 125 kHz

EM4200 / UNIQUE

64 bits Read Only UID FDX ASK

Product:	Industrial Low Frequency Air Coil 125 kHz FDX BIN RFID TAG for waste bin application	
RFID Chips:	EM4200 IC: 64-bit unique Read Only UID optional ICs with FDX-B ASK 134kHz and FDX ASK 125kHz or UHF 868MHz on request	
Read Range:	≥ 150 mm	(Depends on RFID IC type and reader power)
Frequency/Modulation:	125 kHz / FDX ASK	(At room temperature 20°C)
Norms:	Suitable to EN30745 chip nest	
Dimensions / Weight:	Ø 30 mm x 15 mm	12 g
Material / Colour:	PA6 + GF + Epoxy potting	Black (other colours on request)
Protection Class: Chemical Resistance:	IP67 according to DIN EN60529	Resistant to salt solutions, Gasoline (unleaded), oil, paraffin
Vibration: Mechanical Shock:	according to DIN EN60068-2-6 according to DIN EN60068-2-27	
Minimum Order Quantity:	1000 pieces	Samples are available
Operating / Storage Temperature:	-25°C ... + 70°C	-25°C ... + 85°C
Certification / Other:	CE	RoHS ✓
Part Description:	ØM30x15mm-BIN-LF TAG-125kHz-EM4200	Part-No. 123456809

arfidex GmbH | Adlerstr. 2 | D-63322 Rödermark | Germany | Phone: +49 (0) 6074 861930

<https://www.arfidex.de> | info@arfidex.de

© arfidex makes no warranty, representation, or guarantee regarding the information contained herein or the suitability of its products and services for any particular purpose, nor does arfidex assume any liability whatsoever arising out of the application or use of any product or circuit. The products sold hereunder and any other products sold by arfidex have been subject to limited testing and should not be used in conjunction with mission-critical equipment or applications. Any performance specifications are believed to be reliable but are not verified, and Buyer must conduct and complete all performance and other testing of the products, alone and together with, or installed in, any end-products. Buyer shall not rely on any data and performance specifications or parameters provided by arfidex. It is the Buyer's responsibility to independently determine suitability of any products and to test and verify the same. The information provided by arfidex hereunder is provided "as is, where is" and with all faults, and the entire risk associated with such information is entirely with the Buyer. arfidex does not grant, explicitly or implicitly, to any party any patent rights, licenses, or any other IP rights, whether with regard to such information itself or anything described by such information. Information provided in this document is proprietary to arfidex, and arfidex reserves the right to make any changes to the information in this document or to any products and services at any time without notice.



BIN RFID TAG

Ø M30 x 15 mm

LF 125 kHz

EM4200 / UNIQUE

64 bits Read Only UID FDX ASK

Options:

- Other colours version available
- Different Frequency Versions (HF, NFC, UHF) on request
- Customised printing
- Serial Number printing
- UID Number printing

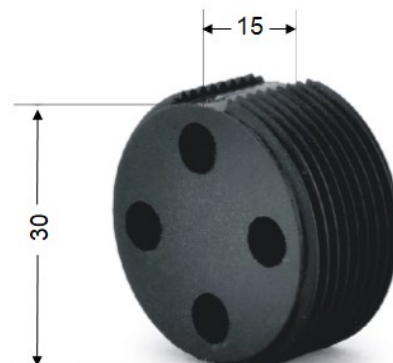


This RFID BUNG transponder is used by system integrators or endusers and should be plugged into the chipnest with care.

Applications:

- Waste Management (Integration in chip nest of wheely bin)
- Industrial ID (waste plastic container ID)
- Your application

Dimensions [mm]



arfidex GmbH | Adlerstr. 2 | D-63322 Rödermark | Germany | Phone: +49 (0) 6074 861930

<https://www.arfidex.de> | info@arfidex.de

© arfidex makes no warranty, representation, or guarantee regarding the information contained herein or the suitability of its products and services for any particular purpose, nor does arfidex assume any liability whatsoever arising out of the application or use of any product or circuit. The products sold hereunder and any other products sold by arfidex have been subject to limited testing and should not be used in conjunction with mission-critical equipment or applications. Any performance specifications are believed to be reliable but are not verified, and Buyer must conduct and complete all performance and other testing of the products, alone and together with, or installed in, any end-products. Buyer shall not rely on any data and performance specifications or parameters provided by arfidex. It is the Buyer's responsibility to independently determine suitability of any products and to test and verify the same. The information provided by arfidex hereunder is provided "as is, where is" and with all faults, and the entire risk associated with such information is entirely with the Buyer. arfidex does not grant, explicitly or implicitly, to any party any patent rights, licenses, or any other IP rights, whether with regard to such information itself or anything described by such information. Information provided in this document is proprietary to arfidex, and arfidex reserves the right to make any changes to the information in this document or to any products and services at any time without notice.



BIN RFID TAG

Ø M30 x 15 mm

LF 134,2 kHz

FDX-B BIPHASE RF/32

EN14803 / DIN30745 / BDE

Product:	Low Frequency Air Coil 134 kHz FDX-B BIN RFID TAG for waste bin application	
RFID Chips:	EM4305 IC: 32 bits factory programmed UID, 128-bit unique Read Only programmed UID, or unprogrammed 128 bits R/W optional ICs with HDX FSK 134kHz and FDX ASK 125kHz are available on request	
Read Range:	≥ 150 mm	(Depends on RFID IC type and reader power)
Frequency/Modulation:	134,2 kHz, AM- ASK, BIPHASE RF/32	(At room temperature 20°C)
Norms:	134,2 kHz EN14803 / BDE / ISO11784/11785	Suitable to EN30745 chip nest
Dimensions / Weight:	Ø 30 mm x 15 mm	12 g
Material / Colour:	PA6 + GF + Epoxy potting	Black (other colours on request)
Protection Class: Chemical Resistance:	IP67 according to DIN EN60529	Resistant to salt solutions, Gasoline (unleaded), oil, paraffin
Vibration: Mechanical Shock:	according to DIN EN60068-2-6 according to DIN EN60068-2-27	
Minimum Order Quantity:	1000 pieces	Samples are available
Operating / Storage Temperature:	-25°C ... + 70°C	-40°C ... + 85°C
Certification / Other:	CE	RoHS ✓
Part Description:	Ø M30x15mm-BIN-LFTAG-134.2kHz-FDX-B-EM4305	Part-No. 123456871

arfidex GmbH | Adlerstr. 2 | D-63322 Rödermark | Germany | Phone: +49 (0) 6074 861930

<https://www.arfidex.de> | info@arfidex.de

© arfidex makes no warranty, representation, or guarantee regarding the information contained herein or the suitability of its products and services for any particular purpose, nor does arfidex assume any liability whatsoever arising out of the application or use of any product or circuit. The products sold hereunder and any other products sold by arfidex have been subject to limited testing and should not be used in conjunction with mission-critical equipment or applications. Any performance specifications are believed to be reliable but are not verified, and Buyer must conduct and complete all performance and other testing of the products, alone and together with, or installed in, any end-products. Buyer shall not rely on any data and performance specifications or parameters provided by arfidex. It is the Buyer's responsibility to independently determine suitability of any products and to test and verify the same. The information provided by arfidex hereunder is provided "as is, where is" and with all faults, and the entire risk associated with such information is entirely with the Buyer. arfidex does not grant, explicitly or implicitly, to any party any patent rights, licenses, or any other IP rights, whether with regard to such information itself or anything described by such information. Information provided in this document is proprietary to arfidex, and arfidex reserves the right to make any changes to the information in this document or to any products and services at any time without notice.



BIN RFID TAG

Ø M30 x 15 mm

LF 134,2 kHz

FDX-B BIPHASE RF/32

EN14803 / DIN30745 / BDE

Options:

- Other colour version available
- Different Frequency Versions (HF, NFC, UHF) on request
- Customised printing
- Serial Number printing
- UID Number printing

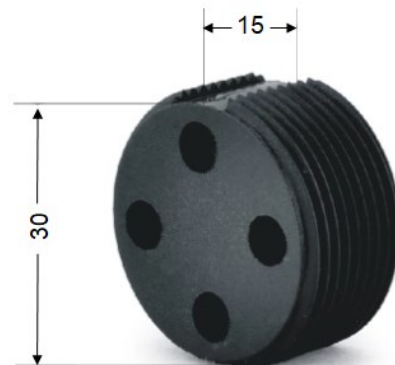


This RFID BUNG transponder is used by system integrators or endusers and should be plugged into the chipnest with care.

Applications:

- Waste Management (Integration in chip nest of wheely bin)
- Industrial ID (waste plastic container ID)
- Your application

Dimensions [mm]



arfidex GmbH | Adlerstr. 2 | D-63322 Rödermark | Germany | Phone: +49 (0) 6074 861930

<https://www.arfidex.de> | info@arfidex.de

© arfidex makes no warranty, representation, or guarantee regarding the information contained herein or the suitability of its products and services for any particular purpose, nor does arfidex assume any liability whatsoever arising out of the application or use of any product or circuit. The products sold hereunder and any other products sold by arfidex have been subject to limited testing and should not be used in conjunction with mission-critical equipment or applications. Any performance specifications are believed to be reliable but are not verified, and Buyer must conduct and complete all performance and other testing of the products, alone and together with, or installed in, any end-products. Buyer shall not rely on any data and performance specifications or parameters provided by arfidex. It is the Buyer's responsibility to independently determine suitability of any products and to test and verify the same. The information provided by arfidex hereunder is provided "as is, where is" and with all faults, and the entire risk associated with such information is entirely with the Buyer. arfidex does not grant, explicitly or implicitly, to any party any patent rights, licenses, or any other IP rights, whether with regard to such information itself or anything described by such information. Information provided in this document is proprietary to arfidex, and arfidex reserves the right to make any changes to the information in this document or to any products and services at any time without notice.